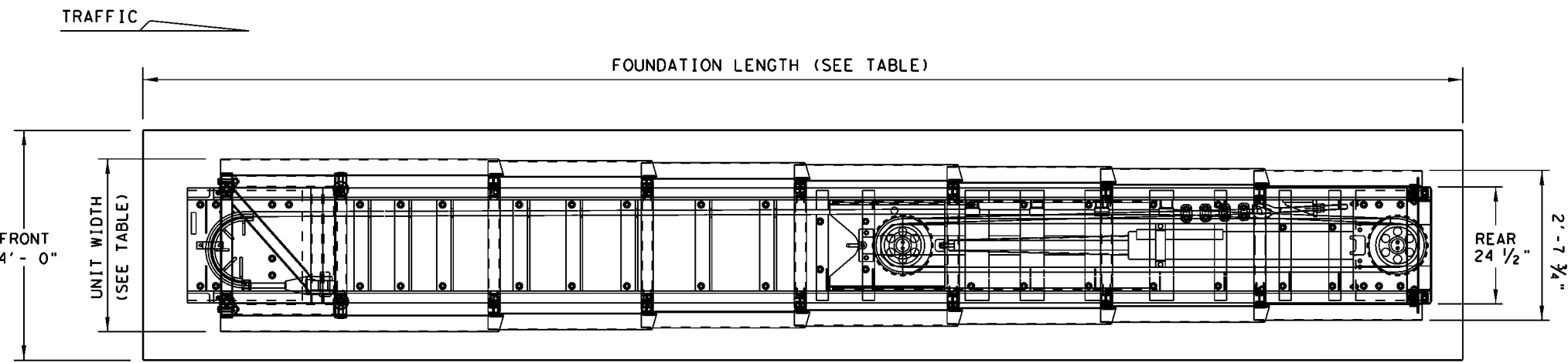
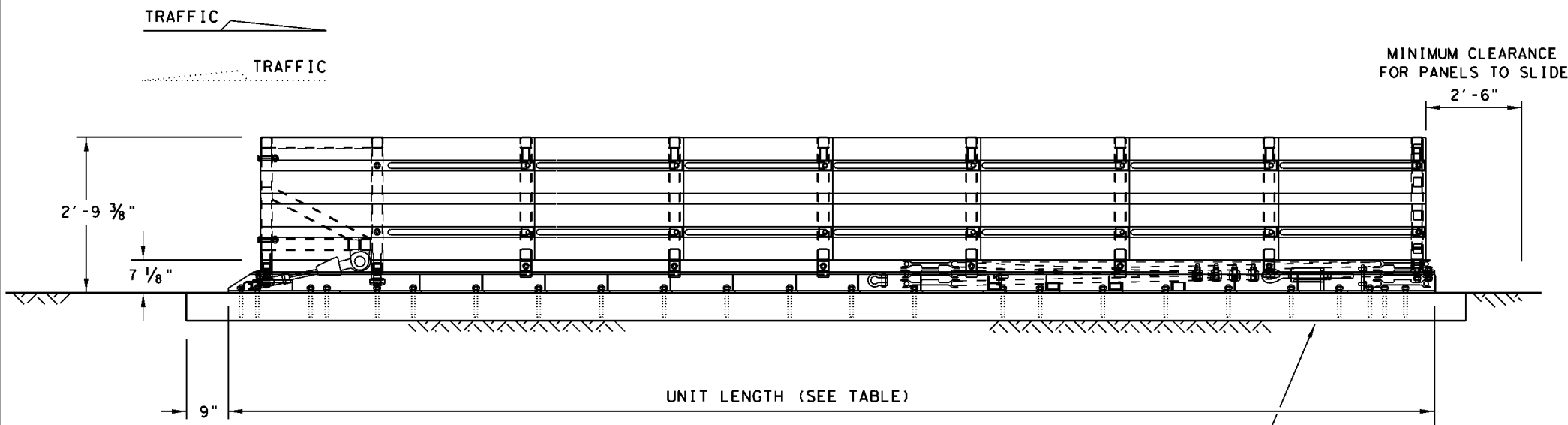


DISCLAIMER: The use of this standard is governed by the "Texas Engineering Practice Act". No warranty of any kind is made by TxDOT for any purpose whatsoever. TxDOT assumes no responsibility for the conversion of this standard to other formats or for incorrect results or damages resulting from its use.

DATE:
FILE:



PLAN VIEW



ELEVATION VIEW

6" REINFORCED PAD SHOWN
(SEE FOUNDATION OPTIONS)

GENERAL NOTES

1. FOR SPECIFIC INFORMATION REGARDING INSTALLATION AND TECHNICAL GUIDANCE OF THE SYSTEM, CONTACT: WORK AREA PROTECTION, CORP. AT (800) 327-4417, OR (630) 377-9100.
2. FOR BI-DIRECTIONAL TRAFFIC, APPROPRIATE TRANSITION PANELS WILL BE REQUIRED.
3. ADDITIONAL DETAILS FOR THE TRANSITION OPTION AND FOUNDATION OPTION WILL BE SHOWN ON THE MANUFACTURER'S SHOP DRAWINGS FURNISHED TO THE ENGINEER.
4. CONCRETE SHALL BE CLASS "S" WITH A MINIMUM COMPRESSIVE STRENGTH OF 4,000 PSI.
5. MAXIMUM PERMISSIBLE CROSS-SLOPE IS 8%.
6. THE INSTALLATION AREA SHOULD BE FREE FROM CURBS, ELEVATED OBJECTS, OR DEPRESSIONS.
7. THE SCI100GM & SCI70GM SYSTEMS SHOULD BE APPROXIMATELY PARALLEL WITH THE BARRIER OR CENTERLINE OF MERGING BARRIERS.

NOTE:
FOR ATTACHMENT AND TRANSITIONS TO OTHER SHAPES, BARRIERS, RAILINGS AND BI-DIRECTIONAL TRAFFIC FLOWS ARE AVAILABLE. (SEE MANUFACTURER'S PRODUCT MANUAL)

NOTE:
SIDE PANELS CAN TRAVEL 30" BEYOND THE LAST TERMINAL BRACE AT THE REAR OF THE CUSHION. ALL OBJECTS THAT MAY INTERFERE WITH THIS MOTION CAN AFFECT PERFORMANCE OF AND MAY CAUSE UNDUE DAMAGE TO THE CRASH CUSHION.

MODEL	TEST LEVEL	UNIT LENGTH (approx.)	UNIT WIDTH	FOUNDATION LENGTH	OBSTACLE WIDTH
SCI70GM	TL-2	13'-6"	2'-10 5/8"	15'- 6 1/4"	24" to 36"
SCI100GM	TL-3	21'-6"	3'-1 1/2"	23'- 0"	24" to 36"

SYSTEM AND PAD LENGTHS VARY DEPENDING ON BACKUP TYPE.

FOUNDATION OPTIONS
6" REINFORCED CONCRETE (5 1/2" ANCHOR EMBEDMENT)
8" UNREINFORCED CONCRETE (5 1/2" ANCHOR EMBEDMENT)
3" MIN. ASPHALT OVER 3" MIN. CONCRETE (16 1/2" ANCHOR EMBED.)
6" ASPHALT OVER 6" COMPACT SUBBASE (16 1/2" ANCHOR EMBED.)
8" MINIMUM ASPHALT (16 1/2" ANCHOR EMBEDMENT)

FOR STEEL PLACEMENT IN CONCRETE FOUNDATIONS, SEE MANUFACTURER'S PRODUCT MANUAL.

TRANSITION OPTIONS
CONCRETE VERTICAL WALL
CONCRETE TRAFFIC BARRIERS
GUARDRAIL (W-BEAM)
GUARDRAIL (THRIE-BEAM)

TRANSITION TYPES ARE SHOWN ELSEWHERE ON THE PLANS (I.E. ATTENUATOR LOCATION DETAILS OR IN THE GENERAL NOTES).

FOR BI-DIRECTIONAL TRANSITION PANEL AND END SHOE DETAILS, SEE MANUFACTURER'S PRODUCT MANUAL.



**WORK AREA PROTECTION
CORP
(SMART-NARROW)**

SMTC (N) - 16

LOW MAINTENANCE

FILE: smtcn16.dgn	DN: TxDOT	CK: KM	DN: VP	CK: VP
© TxDOT: February 2006	CONT	SECT	JOB	HIGHWAY
REVISIONS				
REVISED 06, 2013 (VP)				
REVISED 03, 2016 (VP)				
DIST	COUNTY	SHEET NO.		