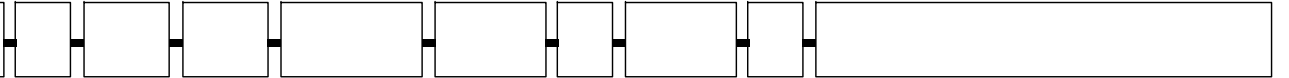
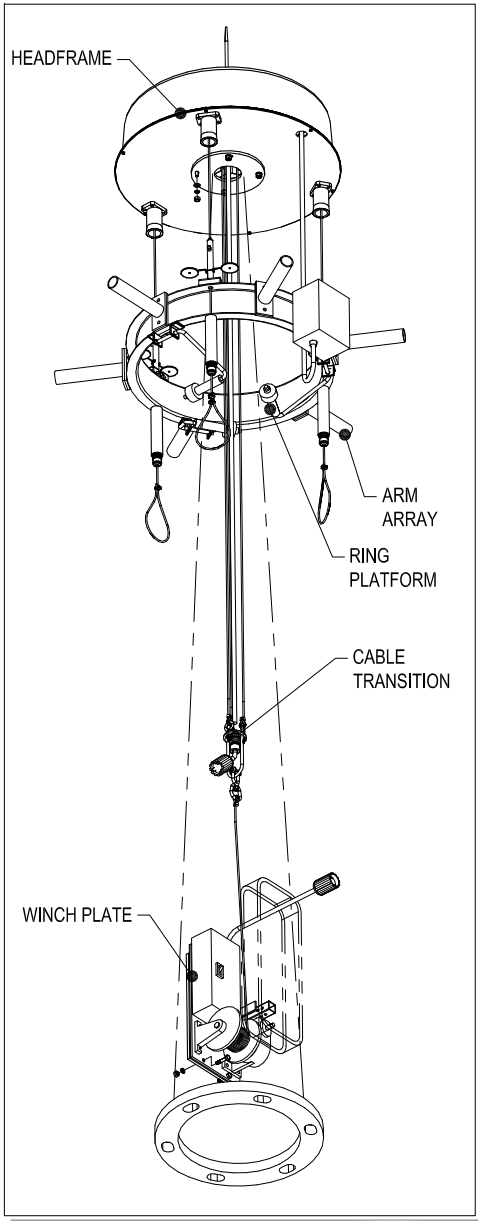


TOP LATCHING EXTERNAL DRIVE **1060**



NO. OF CIRCUITS

1
2
3
ETC...

FIXTURE COUNT

02 = 2
03 = 3
04 = 4
ETC...
12 = 12

FIXTURE TYPE

FL = FLOOD
HM = HIGH MAST
SP = SPORTS
OT = OTHER

LAMP TYPE

120 = 120 VOLT
208 = 208 VOLT
240 = 240 VOLT
277 = 277 VOLT
347 = 347 VOLT
480 = 480 VOLT

SERVICE TO FIXTURE

040H = 400 WATT HIGH PRESSURE SODIUM (HPS)
040M = 400 WATT METAL HALIDE
040R = 400 WATT HPS W/ MAGNET REGULATED BALLAST
075H = 750 WATT HPS
100H = 1000 WATT HPS
100M = 1000 WATT METAL HALIDE
150M = 1500 WATT METAL HALIDE
165M = 1650 WATT METAL HALIDE
200M = 2000 WATT METAL HALIDE

SERVICE TO POLE

A = 120 VOLT SINGLE PHASE 3-WIRE
B = 120/240 VOLT THREE PHASE 5-WIRE
C = 208 VOLT SINGLE PHASE 3-WIRE
D = 208 VOLT THREE PHASE 4-WIRE
E = 240 VOLT SINGLE PHASE 3-WIRE
F = 120/240 VOLT SINGLE PHASE 4-WIRE
G = 240/480 VOLT SINGLE PHASE 4-WIRE
H = 277 VOLT SINGLE PHASE 3-WIRE
J = 277/480 VOLT THREE PHASE 5-WIRE
K = 480 VOLT SINGLE PHASE 3-WIRE
L = 480 VOLT THREE PHASE 4-WIRE
M = 347 VOLT SINGLE PHASE 3-WIRE
N = 347/600 VOLT THREE PHASE 5-WIRE
X = OTHER

MOUNT HEIGHT

050 = 50 FT
060 = 60 FT
ETC...
150 = 150FT
10M = 10 METER
15M = 15 METER

CABLE SYSTEM

A = 3/16 HOIST, 1/4 WINCH, GALVANIZED
B = 1/4 HOIST, 5/16 WINCH, GALVANIZED
C = 3/16 HOIST, 5/16 WINCH, GALVANIZED
D = 3/16 HOIST, 1/4 WINCH, STAINLESS STEEL (SS)
E = 1/4 HOIST, 5/16 WINCH, SS
F = 3/16 HOIST, 5/16 WINCH, SS
G = 3/16 HOIST, 1/4 WINCH, GALV, MOBILE DRIVE PLATFORM (MDP)
H = 3/16 HOIST, 1/4 WINCH, SS, MDP
J = 1/4 HOIST, 5/16 WINCH, GALV, MDP
K = 1/4 HOIST, 5/16 WINCH, SS, MDP

OPTIONS

LR = LIGHTING ROD
LAR = LIGHTING ARRESTOR, RING MOUNTED
LAC = LIGHTNING ARRESTOR, CIRCUIT BREAKER
AR1 = AIRCRAFT WARNING LIGHT (SINGLE)
AR2 = AIRCRAFT WARNING LIGHT (DOUBLE)
AR3 = AIRCRAFT WARNING LIGHT (DOUBLE W/ RELAY)
RPC = PHOTO CONTROL, RING MOUNTED
WCG = WINCH CABLE GUARD
HSS = HOIST SHEAVES, STAINLESS STEEL
HZP = HOIST SHEAVES, ELECTRO-PLATED STEEL
CCT = CLOSED CAPTION TELEVISION PROVISION
ENC = ENCLOSED RING WIREWAY
PDU = PORTABLE DRIVE UNIT
PWU = PORTABLE WINCH UNIT

Drawing Date: Initials:

Project Information:

Project Information:

Identification Information:

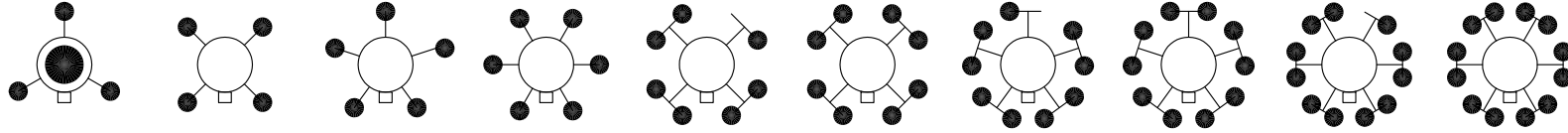
Quantity:

Contact Information:

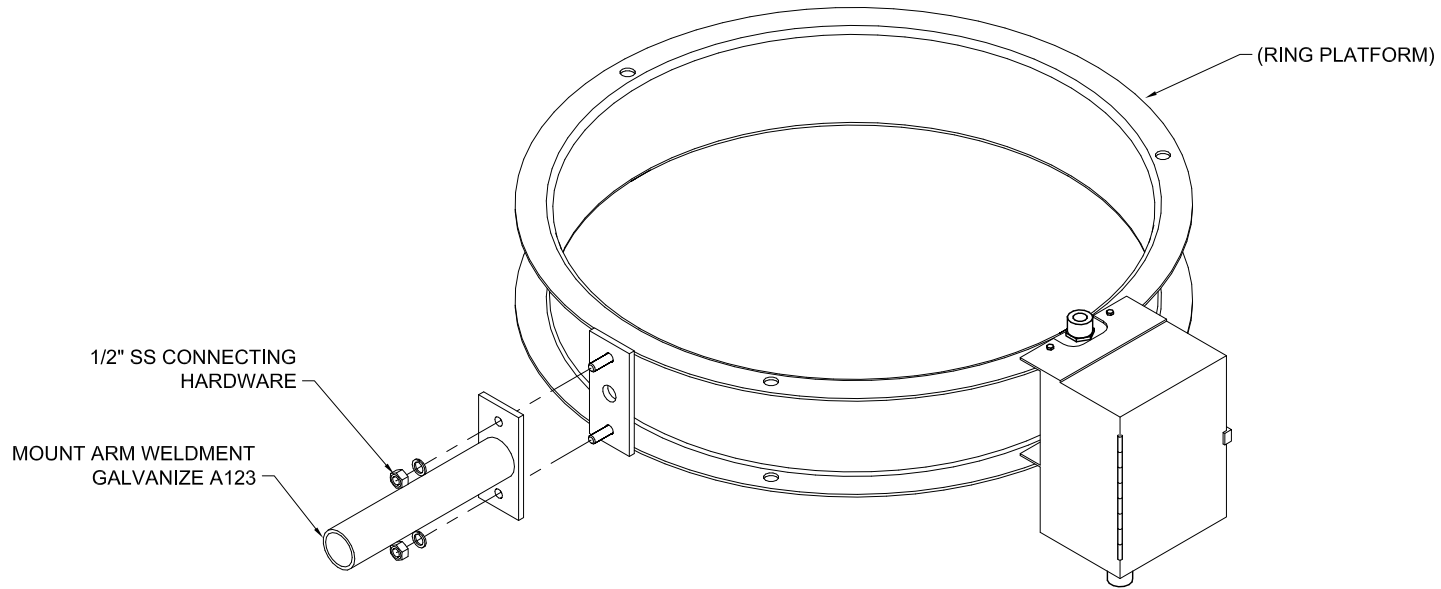


ARM ARRAY

(1060, 1070, 1080, 2060, 2070)



ARM ARRAY OPTIONS

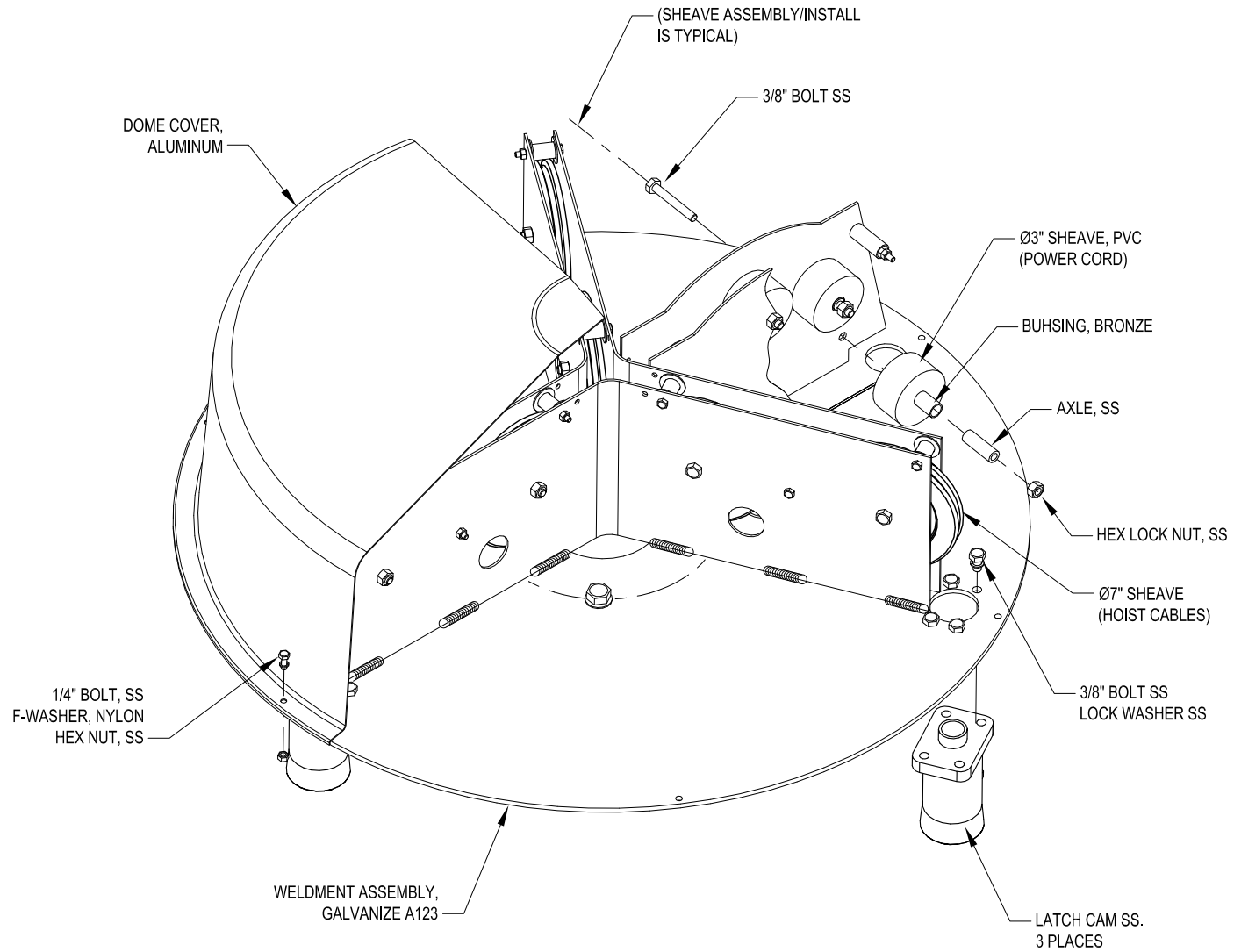


Identification Information:

Quantity:

HEADFRAME (TOP LATCH)

(1060, 1070, 1080)

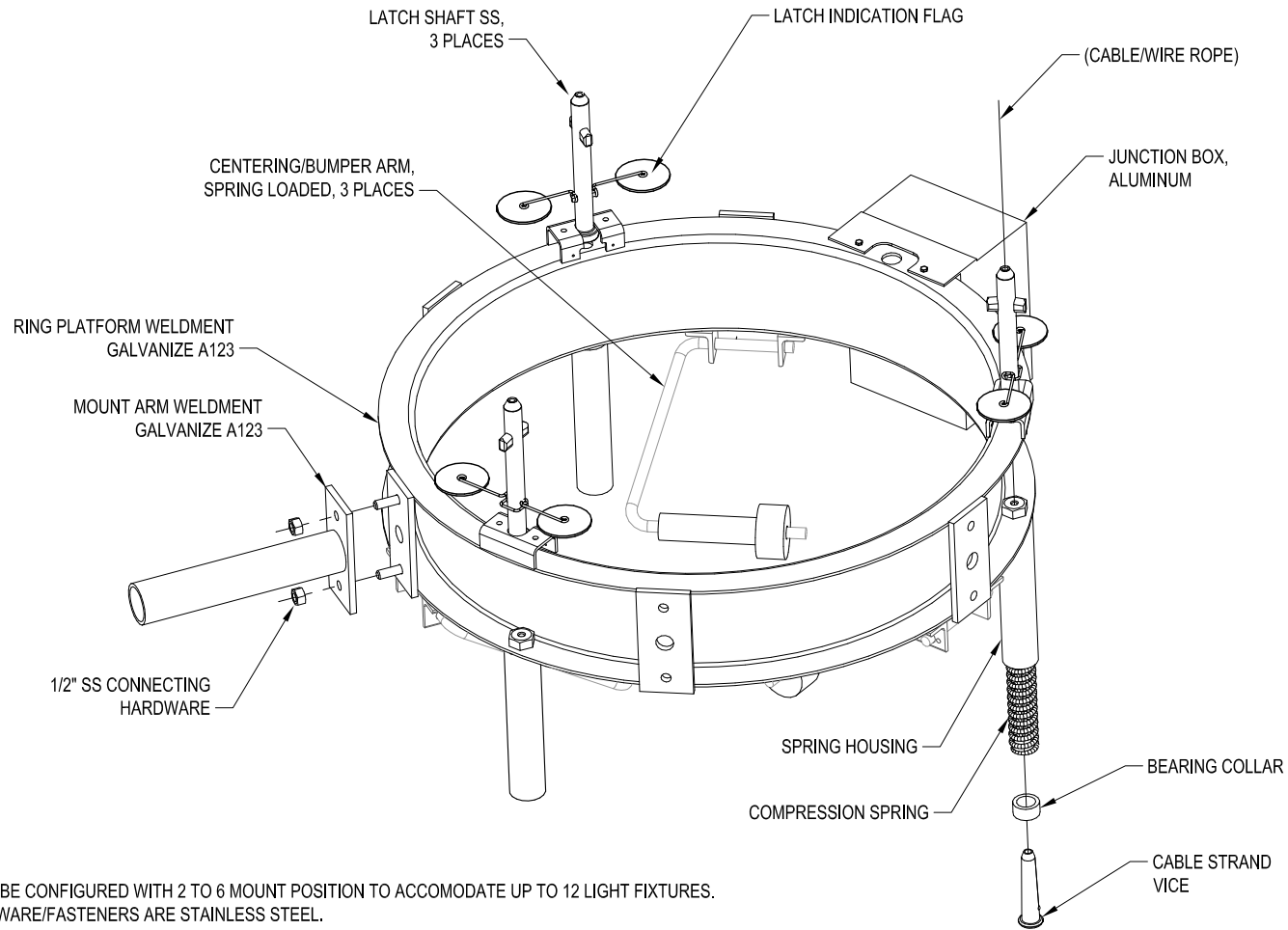


Identification Information:

Quantity:

RING PLATFORM (TOP LATCH)

(1060, 1070, 1080)



NOTES:

1. RING CAN BE CONFIGURED WITH 2 TO 6 MOUNT POSITION TO ACCOMODATE UP TO 12 LIGHT FIXTURES.
2. ALL HARDWARE/FASTENERS ARE STAINLESS STEEL.
3. JUNCTION BOX IS PREWIRED.

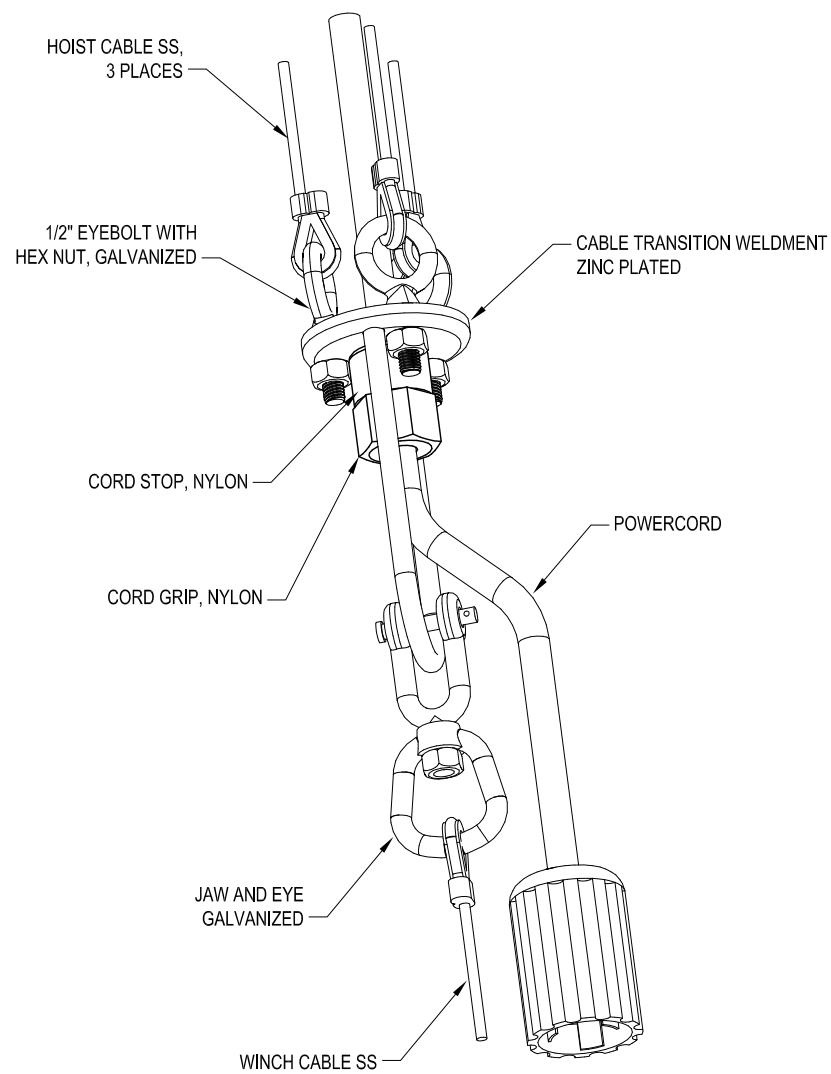


Identification Information:

Quantity:

CABLE TRANSITION (TOP LATCH)

(1060, 1070, 1080, 3070)

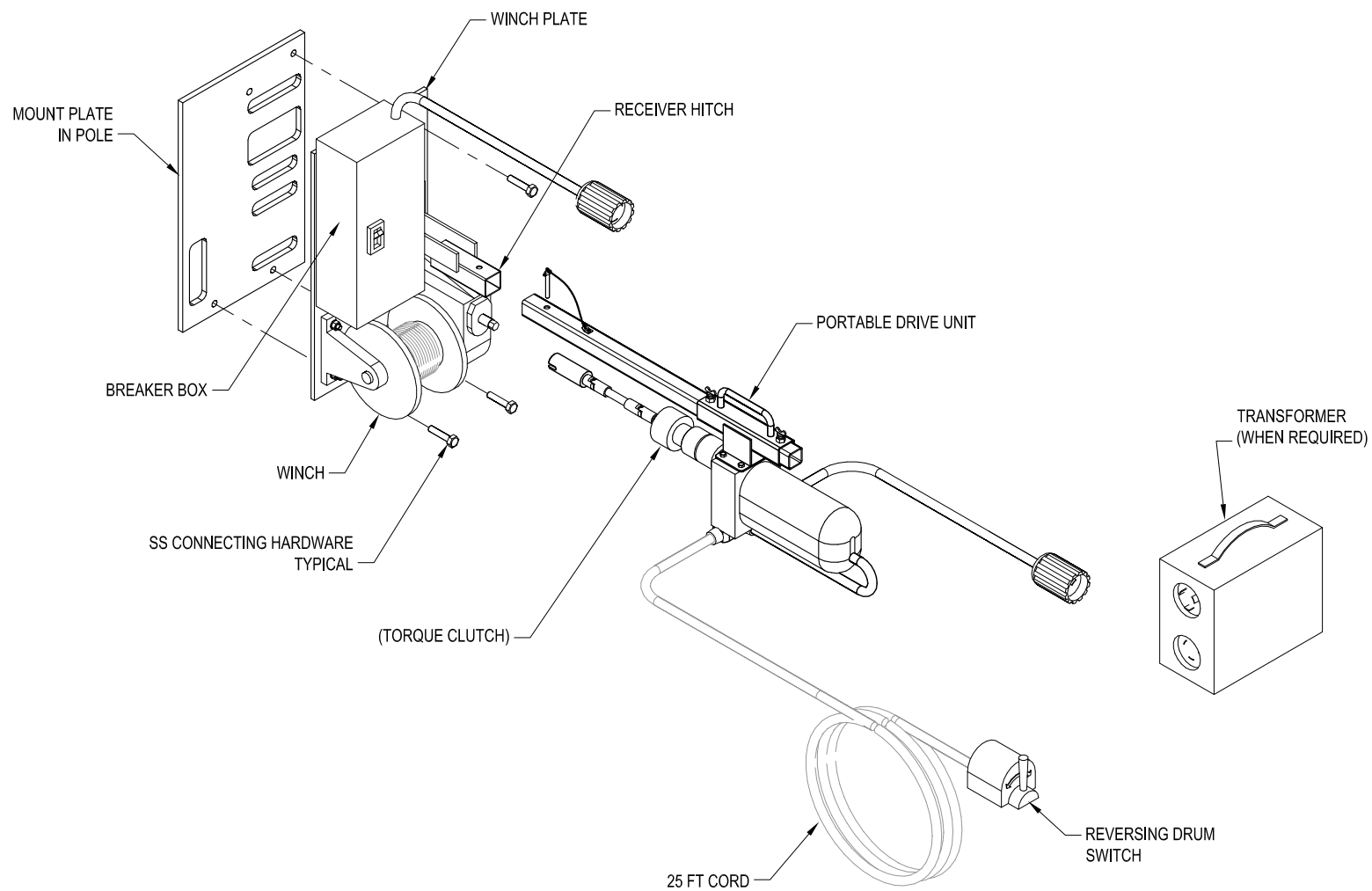


Identification Information:

Quantity:

WINCH PLATE

(1060, 2060)



Identification Information:

Quantity: